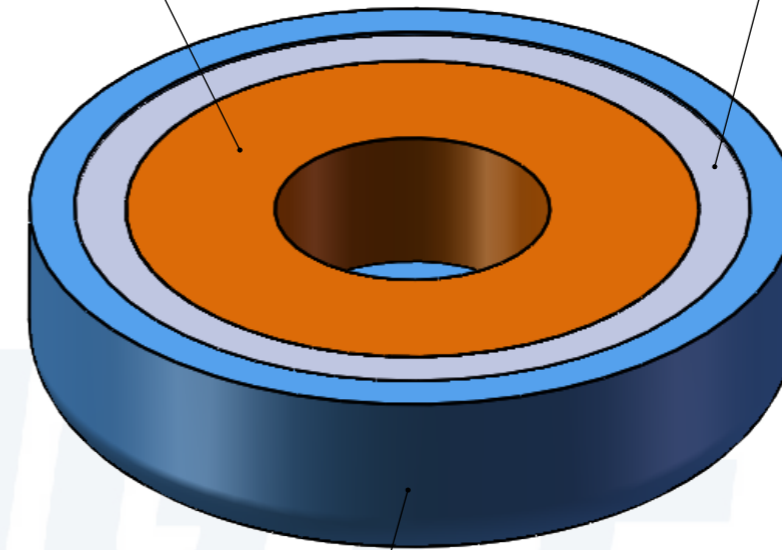
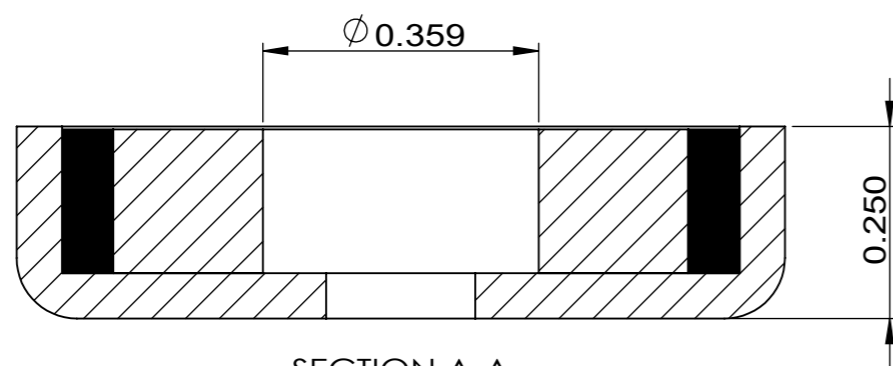


NEODYMIUM MAGNET

PLASTIC SPACER



STEEL HOUSING



SECTION A-A
SCALE 4 : 1

ALL DIMENSIONS ARE IN INCHES EXCEPT AS NOTED

TOLERANCES (EXCEPT AS NOTED)
 FRACTIONAL $\pm 0.030''$
 ANGULAR $\pm 1^\circ$
 TWO PLACE DECIMAL $\pm 0.030''$
 THREE PLACE DECIMAL $\pm 0.010''$



TITLE:

Neodymium Mounting Magnet

SIZE A	ITEM NO. MH-1000	REV 0
------------------	----------------------------	-----------------

MATERIAL SEE NOTES

FINISH SEE NOTES

SCALE:4:1 DO NOT SCALE SHEET 1 OF 1

THE INFORMATION CONTAINED IN THIS DRAWING IS THE SOLE PROPERTY OF HANGZHOU TENGYE MAGNETIC MATERIALS CO.,LTD. ANY REPRODUCTION IN PART OR AS A WHOLE WITHOUT THE WRITTEN PERMISSION OF HANGZHOU TENGYE MAGNETIC MATERIALS CO.,LTD. IS PROHIBITED.