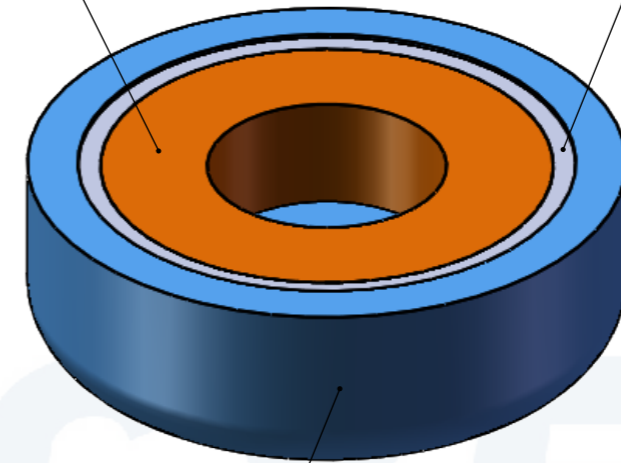
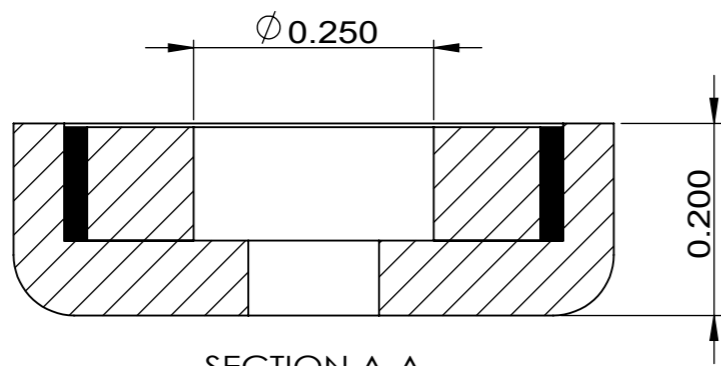


NEODYMIUM MAGNET

PLASTIC SPACER



STEEL HOUSING



SECTION A-A

TENGYE

EMPOWERING YOU WITH MAGNETS

ALL DIMENSIONS ARE IN INCHES EXCEPT AS NOTED



TOLERANCES (EXCEPT AS NOTED)
 FRACTIONAL $\pm .030''$
 ANGULAR $\pm 1^\circ$
 TWO PLACE DECIMAL $\pm .030''$
 THREE PLACE DECIMAL $\pm .010''$

TITLE:

Neodymium Mounting Magnet

| | | |
|----------|---------------|----------|
| SIZE | ITEM NO. | REV |
| A | MH-625 | 0 |

MATERIAL SEE NOTES

FINISH SEE NOTES

SCALE:5:1 DO NOT SCALE SHEET 1 OF 1

THE INFORMATION CONTAINED IN THIS DRAWING IS THE SOLE PROPERTY OF HANGZHOU TENGYE MAGNETIC MATERIALS CO.,LTD. ANY REPRODUCTION IN PART OR AS A WHOLE WITHOUT THE WRITTEN PERMISSION OF HANGZHOU TENGYE MAGNETIC MATERIALS CO.,LTD. IS PROHIBITED.