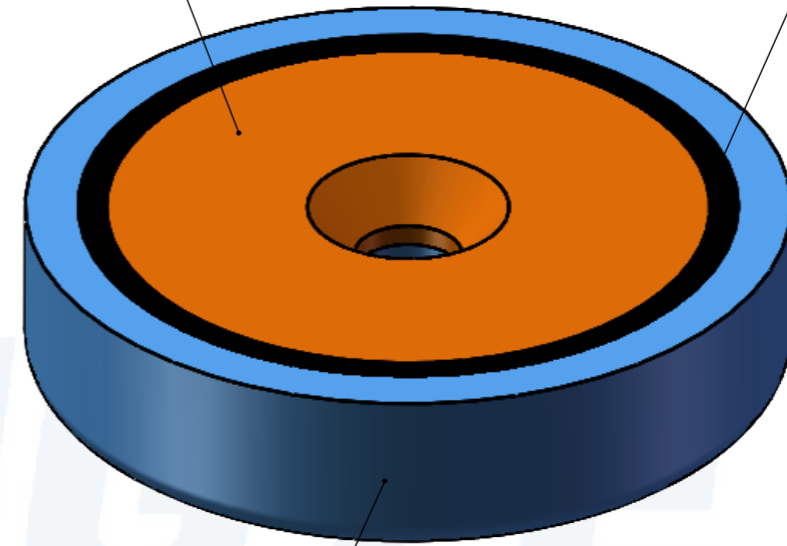
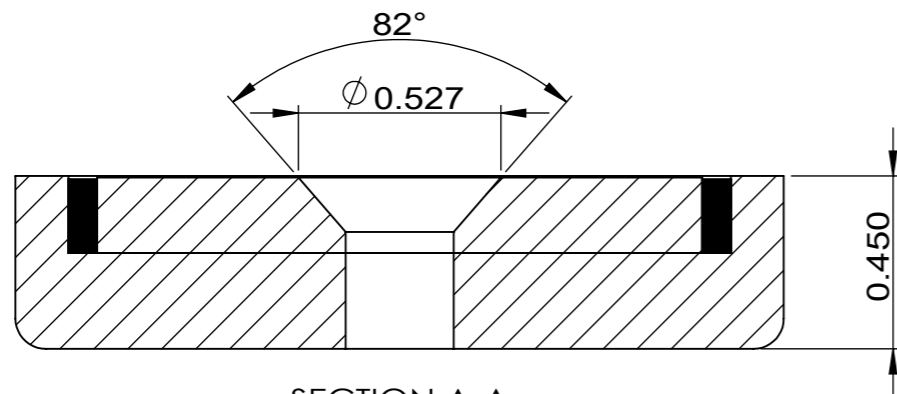


NEODYMIUM MAGNET

SPACER



STEEL HOUSING



SECTION A-A  
SCALE 2 : 1

TENGYE  
EMPOWERING YOU WITH MAGNETS

ALL DIMENSIONS ARE IN  
INCHES EXCEPT AS NOTED

TOLERANCES (EXCEPT AS NOTED)  
FRACTIONAL  $\pm 0.030''$   
ANGULAR  $\pm 1^\circ$   
TWO PLACE DECIMAL  $\pm 0.030''$   
THREE PLACE DECIMAL  $\pm 0.010''$

MATERIAL SEE NOTES

FINISH SEE NOTES



TITLE:

**Neodymium Mounting Magnet**

SIZE <b>A</b>	ITEM NO. <b>MT-2000</b>	REV <b>0</b>
------------------	----------------------------	-----------------

SCALE:2:1	DO NOT SCALE	SHEET 1 OF 1
-----------	--------------	--------------

THE INFORMATION CONTAINED IN THIS DRAWING IS THE SOLE PROPERTY OF HANGZHOU TENGYE MAGNETIC MATERIALS CO.,LTD. ANY REPRODUCTION IN PART OR AS A WHOLE WITHOUT THE WRITTEN PERMISSION OF HANGZHOU TENGYE MAGNETIC MATERIALS CO.,LTD. IS PROHIBITED.